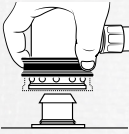




## Faster Inflation Speeds

Engineered for minimum backflow which allows for unrestricted air flow for quick inflation.



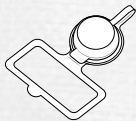
## Snap-On Inflator Tip

8 stainless steel ball bearings secure snugly onto the TX valve to form a tight seal.



## Easy to Deflate

Simply press for quick deflation to better reposition loads. Press and turn to lock the valve for full deflation.



## Low Profile Design

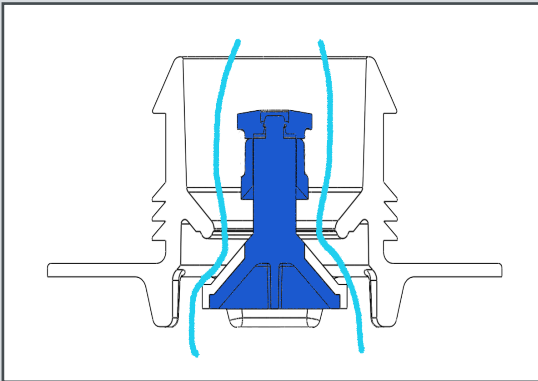
Allows for inflation in tight, hard to reach voids.



## TX INFLATION SYSTEM | SHIPPERS PRODUCTS

We build airbags to inflate the way **YOU WISH** they would. The TX valve is designed and engineered to allow the maximum air flow into the airbag. The result? Airbags fill rapidly with superior inflation control. Deflation is simple with the TX. Users can partially deflate to reposition loads if necessary, or lock open to fully deflate and reuse airbags (provided that airbag is not used in AAR approved loads).

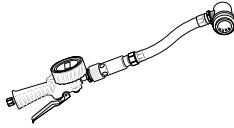
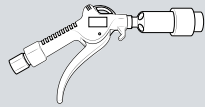
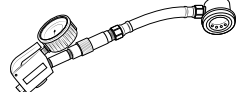
### TX FEATURES



#### Reduced Back Pressure

This is no ordinary valve. The TX valve is designed and engineered to allow maximum air flow with minimum backflow. This ensures airbags inflate quickly and efficiently.

### COMPATIBLE INFLATORS

	Part #	Description
	DI1300	Digital Inflator with Sleeve Venturi & TX Tip
	HI1300	TX Inflator without Gauge
	TX2000	TX Inflator with Gauge

810514 v9.9R